



## features and benefits

- Assist with transfer on and off the toilets
- Assist with falls prevention
- Ergonomic, non-slip arm rests in contrasting colour for safety & comfort
- Made from Durable & Reliable Stainless
- Arms fold up independently of each other
- No wall mounting required, easily installed/retrofitted to most toilet pans or suites in the market
- Leg supports for maximum safety
- Removable Toilet Roll Holder
- Total weight load capacity of 150kgs

## about

The convenience of the Britex Elsa Arm Rest makes it an ideal comfort and safety accessory in future proofing your independent living or assisted living bathroom, whether for temporary requirements or longer term use. The Elsa Arm Rest features foldable arms that can be manoeuvred independently of each other to suit user and space requirements and are padded in a contrasting colour to aide in visibility and provide a non slip grip. The toilet roll holder may be installed on the left or right arm rest. An ideal solution for domestic, public or commercial bathrooms, the unit can be easily retrofitted to most toilet pans or suites in the market.

## sample spec. text

*BRITEX Stainless Steel Flush Elsa Arm Rest - Complete with padded non-slip grip arm pads and leg supports - Product Code AR-100*

\*RED TEXT may denote a **variable** where one option only is to be selected, a **nominal dimension** that needs to be specified, or an **optional feature** that can be removed if not required. Please refer to the back of this page for additional specification details and options.

VISIT [BRITEX.COM.AU](http://BRITEX.COM.AU) TO DOWNLOAD BIM FILES, CAD DRAWINGS AND THE MOST CURRENT PRODUCT LITERATURE.

# ELSA ARM REST

PRODUCT CODE

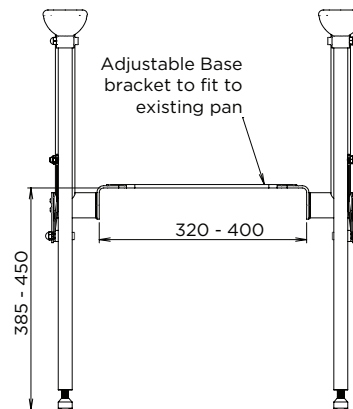
## AR-100

### INSTALLATION GUIDE

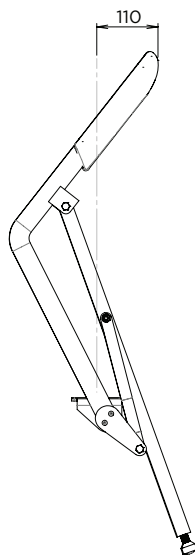
1. Adjustability to enable a secure fit/installation on most WC's with installment base width range of 300mm to 420mm and mounting hole range from 86mm to 256mm over centre.
2. Easy assembly and retrofit installation, not requiring any re-work or re-enforcement of walls as per most grab bars.
3. Single installation inclusive of both Arm Rests vs. potential multiple installations if more than one grab bar is required around the toilet.

### Maintenance:

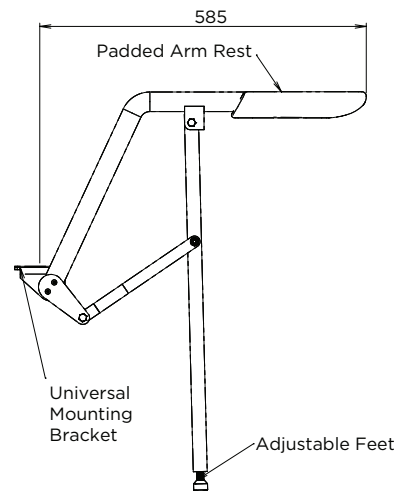
- For precaution, installation bolts are recommended to be checked quarterly and if required, tightened.
- Elsa Arms Rests to be wiped clean with warm, soapy water.



MODEL AR-100 Plan View



MODEL AR-100 Arms in Up Position



Arms in Down Position

MODEL AR-100 Arms in Down Position

specifying  
guide

When specifying this product please include:

- Product Name and Code

VISIT [BRITEX.COM.AU](http://BRITEX.COM.AU) TO DOWNLOAD BIM FILES, CAD DRAWINGS AND THE MOST CURRENT PRODUCT LITERATURE.

Last Revised June 2017